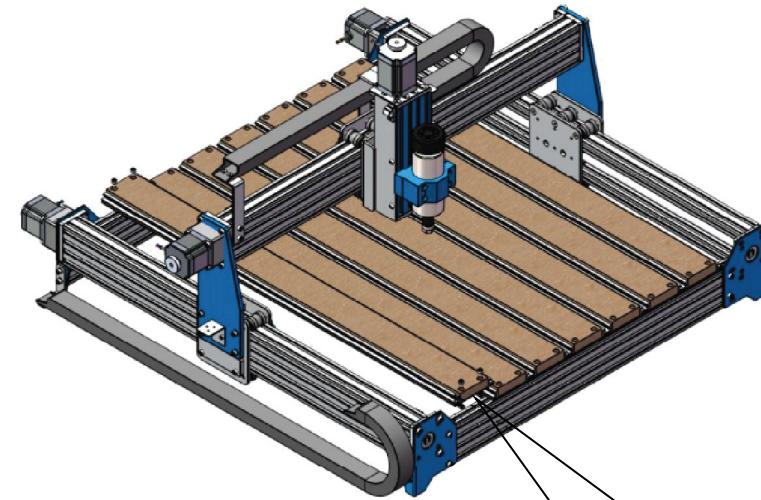
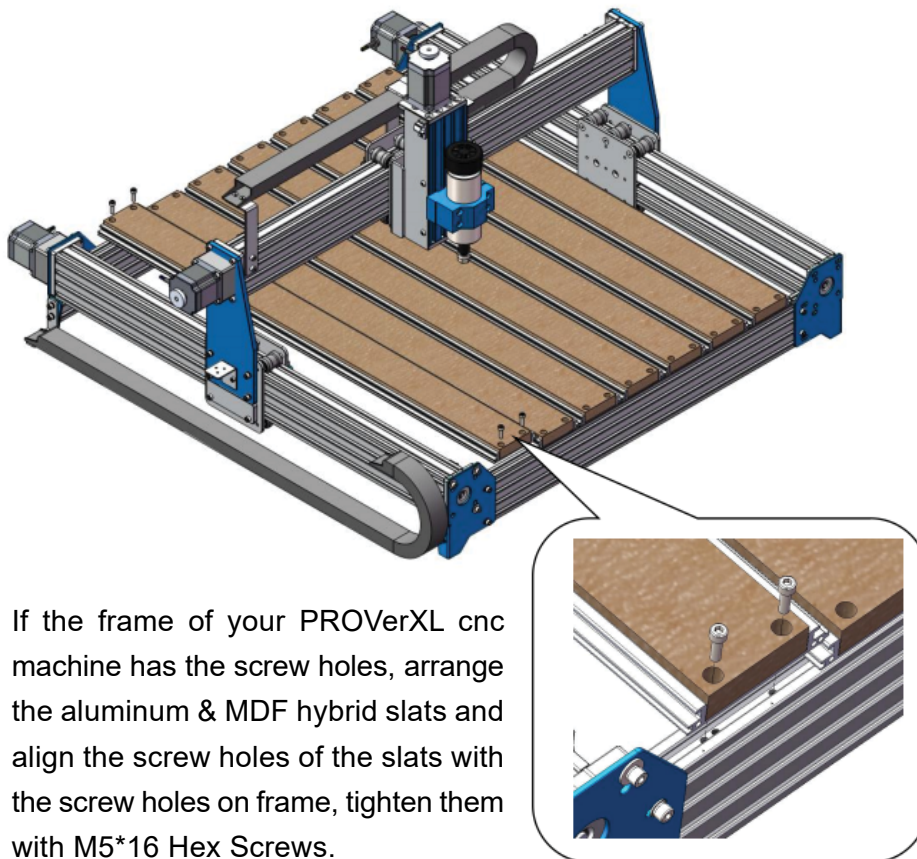


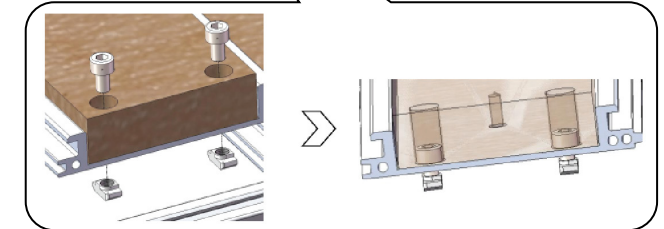
Genmistu PROVerXL 6060 Extension Hybrid Spoilboard Installation Guide

Package List

7 x Aluminum & MDF hybrid slat	28 x M5*16 Hex Screw
28 x M5*20 T-Nut	1 x 4mm Wrench
28 x M5*8 Hex Screw	1 x Manual



If the frame of your PROVerXL cnc machine doesn't have the screw holes, install the M5*8 Hex Screws



and M5 T-Nuts on each screw hole of the slats at first (don't lock them tightly, just need to screw 2-3 turns). Then, arrange the aluminum & MDF hybrid slats on the frame of your cnc machine and make sure that the T-Nuts are inserted in the frame, then lock them tightly.

If you need any assistance, please contact us via:

✉ Email: support@sainsmart.com

Facebook messenger: <https://m.me/SainSmart>

Help and support is also available from our Facebook Group

