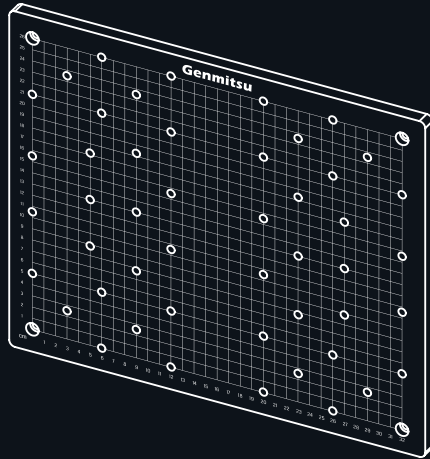


Genmitsu

3030 MDF Board User Manual



V1.0 Apr 2024

Unbox



① 3030
MDF Board



② (5) M6x10mm
Cup Head
Socket Screws



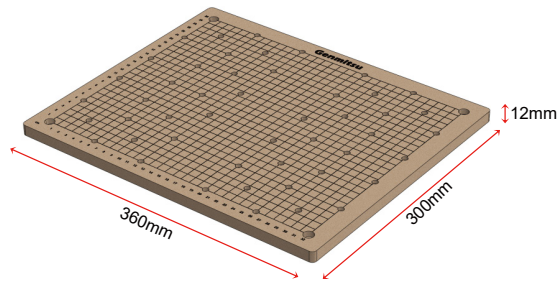
③ 5mm
Allen Wrench



④ User
Manual

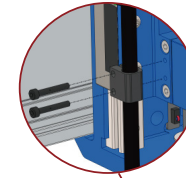
Specification & Weight

Overall Dimensions	360 x 300 x 12 mm (14.2 x 11.8 x 0.5 inch)
MDF Weight	0.94 Kg

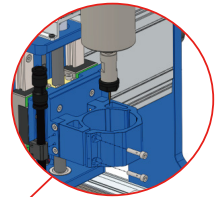


01

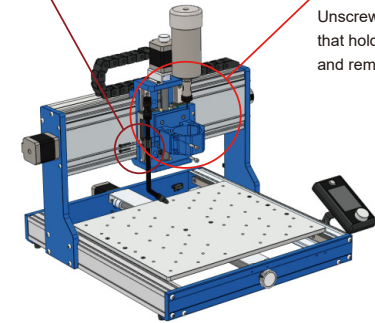
Installation



Unscrew the 2 screws
that hold the air cooling
hose and remove it.

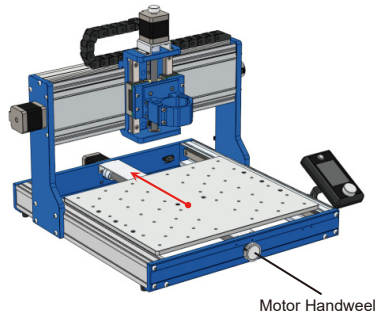


Unscrew the 2 screws
that hold the spindle
and remove it.

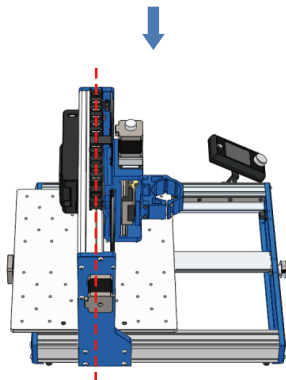


02

2. Turn the motor handwheel to adjust the platform plate to a position where it is easy to install the screws.



Motor Handwheel

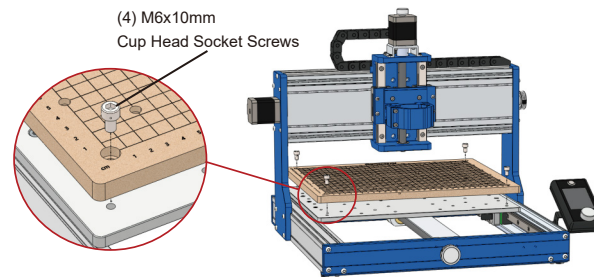


Platform center move to gantry

03

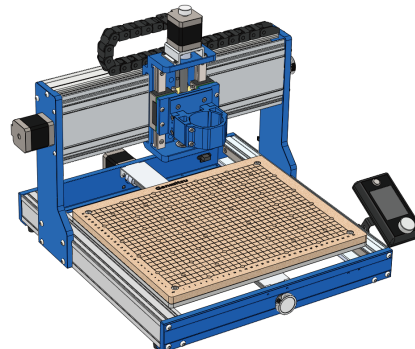
Step 2: Install the MDF board

Install the MDF board with (4) M6x10mm screws.



(4) M6x10mm
Cup Head Socket Screws

Finish



04

Genmitsu

If you need any assistance, please contact us via:

✉ Email: support@sainsmart.com

Facebook messenger: <https://m.me/SainSmart>

Help and support is also available from our Facebook Group



Vastmind LLC, 2330 Paseo Del Prado, C303, Las Vegas, NV 89102